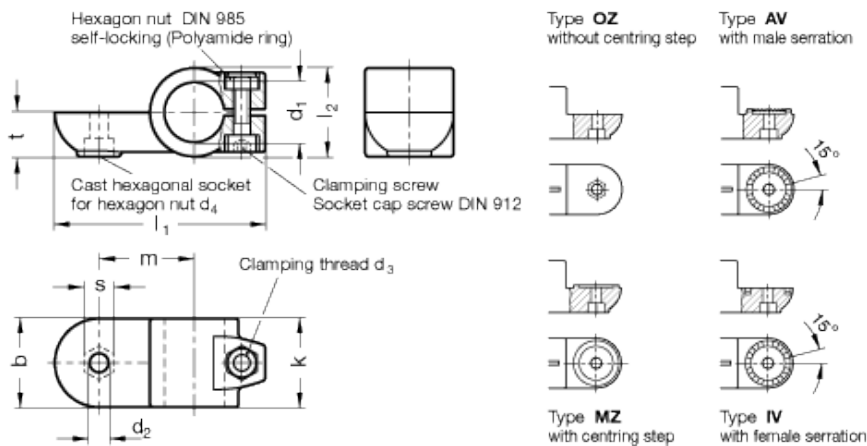


# GN 278

Pivoting connecting clamps



## technical informations

**Material**  
Aluminium.

## Finish

- Version SW: RAL 9005 black colour, matte finish, epoxy resin coating.
- Version BL: blank, matte shot-blasted.

## Types

- Type OZ without centring step.
- Type MZ with centring step.
- Type AV with male serration.
- Type IV with female serration.

## Clamping screws

Identification no. 2: with AISI 304 stainless steel-clamping screw DIN 912 and nut DIN 985.

## Assembly

The standard clamping bolts are socket cap screws DIN 912, supplied assembled. They can be replaced by clamping kits GN 911 (description see table of dimensions).

### Features and applications

Swivel clamp connectors GN 278 can be assembled with swivel clamp connectors GN 272, GN 274 or GN 276 to create swivel clamp connector joints.

The clamping bore of the swivel clamp connectors GN 278 is machined and designed for construction tubings GN 990 or DIN 2391, DIN 2395 and DIN 2462 respectively.

### Accessories

- Tubings [GN 990](#).
- Clamping kits [GN 911](#) (clamping handles GN 300.1 with distance bushing).

Standard Elements	Main dimensions											Clamping kits	Weight
Description	d <sub>1</sub>	b	d <sub>2</sub>	d <sub>3</sub>	d <sub>4</sub>	k	l <sub>1</sub>	l <sub>2</sub>	m	s	t	For d <sub>3</sub>	g
GN 278-B20-OZ-2-*	B 20	40	8.5	M 8	M 8	40	95	40	43	13	20	GN 911-M8-32	185
GN 278-B25-OZ-2-*	B 25	40	8.5	M 8	M 8	40	95	40	43	13	20	GN 911-M8-32	170
GN 278-B30-OZ-2-*	B 30	40	8.5	M 8	M 8	40	95	40	43	13	20	GN 911-M8-32	145
GN 278-B40-OZ-2-*	B 40	65	10.5	M 10	M 10	65	148	65	70	17	32.5	GN 911-M10-55	705
GN 278-B42-OZ-2-*	B 42	65	10.5	M 10	M 10	65	148	65	70	17	32.5	GN 911-M10-55	675
GN 278-B45-OZ-2-*	B 45	65	10.5	M 10	M 10	65	148	65	70	17	32.5	GN 911-M10-55	645
GN 278-B48-OZ-2-*	B 48	65	10.5	M 10	M 10	65	148	65	70	17	32.5	GN 911-M10-55	610
GN 278-B50-OZ-2-*	B 50	65	10.5	M 10	M 10	65	148	65	70	17	32.5	GN 911-M10-55	585
GN 278-B20-MZ-2-*	B 20	40	8.5	M 8	M 8	40	95	40	43	13	20	GN 911-M8-32	185
GN 278-B25-MZ-2-*	B 25	40	8.5	M 8	M 8	40	95	40	43	13	20	GN 911-M8-32	170
GN 278-B30-MZ-2-*	B 30	40	8.5	M 8	M 8	40	95	40	43	13	20	GN 911-M8-32	145
GN 278-B40-MZ-2-*	B 40	65	10.5	M 10	M 10	65	148	65	70	17	32.5	GN 911-M10-55	695
GN 278-B42-MZ-2-*	B 42	65	10.5	M 10	M 10	65	148	65	70	17	32.5	GN 911-M10-55	675
GN 278-B45-MZ-2-*	B 45	65	10.5	M 10	M 10	65	148	65	70	17	32.5	GN 911-M10-55	645
GN 278-B48-MZ-2-*	B 48	65	10.5	M 10	M 10	65	148	65	70	17	32.5	GN 911-M10-55	605
GN 278-B50-MZ-2-*	B 50	65	10.5	M 10	M 10	65	148	65	70	17	32.5	GN 911-M10-55	575
GN 278-B20-AV-2-*	B 20	40	8.5	M 8	M 8	40	95	40	43	13	20	GN 911-M8-32	190
GN 278-B25-AV-2-*	B 25	40	8.5	M 8	M 8	40	95	40	43	13	20	GN 911-M8-32	170
GN 278-B30-AV-2-*	B 30	40	8.5	M 8	M 8	40	95	40	43	13	20	GN 911-M8-32	150
GN 278-B40-AV-2-*	B 40	65	10.5	M 10	M 10	65	148	65	70	17	32.5	GN 911-M10-55	690
GN 278-B42-AV-2-*	B 42	65	10.5	M 10	M 10	65	148	65	70	17	32.5	GN 911-M10-55	675
GN 278-B45-AV-2-*	B 45	65	10.5	M 10	M 10	65	148	65	70	17	32.5	GN 911-M10-55	640
GN 278-B48-AV-2-*	B 48	65	10.5	M 10	M 10	65	148	65	70	17	32.5	GN 911-M10-55	600
GN 278-B50-AV-2-*	B 50	65	10.5	M 10	M 10	65	148	65	70	17	32.5	GN 911-M10-55	580
GN 278-B20-IV-2-*	B 20	40	8.5	M 8	M 8	40	95	40	43	13	20	GN 911-M8-32	180
GN 278-B25-IV-2-*	B 25	40	8.5	M 8	M 8	40	95	40	43	13	20	GN 911-M8-32	160
GN 278-B30-IV-2-*	B 30	40	8.5	M 8	M 8	40	95	40	43	13	20	GN 911-M8-32	140
GN 278-B40-IV-2-*	B 40	65	10.5	M 10	M 10	65	148	65	70	17	32.5	GN 911-M10-55	685
GN 278-B42-IV-2-*	B 42	65	10.5	M 10	M 10	65	148	65	70	17	32.5	GN 911-M10-55	665
GN 278-B45-IV-2-*	B 45	65	10.5	M 10	M 10	65	148	65	70	17	32.5	GN 911-M10-55	620
GN 278-B48-IV-2-*	B 48	65	10.5	M 10	M 10	65	148	65	70	17	32.5	GN 911-M10-55	585

GN 278-B50-IV-2-*	B 50	65	10.5	M 10	M 10	65	148	65	70	17	32.5	GN 911-M10-55	565
-------------------	------	----	------	------	------	----	-----	----	----	----	------	---------------	-----

\* Complete the description of the standard item needed by adding the finish of the connector clamps: BL (blank) or SW (black).

---



STANDARD MACHINE ELEMENTS WORLDWIDE